



---

# Mineral Insulated Thermocouple Sensor -Type T / Miniature Head

## Product Images

---

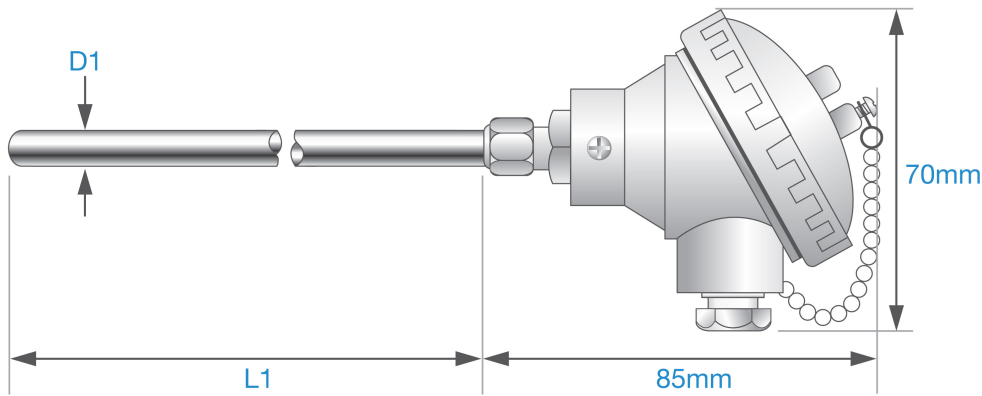


## Description

---

*Note: Type K Thermocouple Shown for illustration only*

Mineral Insulated Thermocouple Sensors Fitted With Miniature Head available in Type T.



**D1: Probe Diameter**

**L1: Probe Length**

These semi rigid thermocouples are fitted with a miniature IP67 rated die cast alloy terminal head for excellent environmental protection. The screw lid has a robust chain so to ensure it stays connected to the head. A ceramic terminal block inside the head ensures any connections to extension cable is simple via a M16 X 1.5mm cable entry thread and is supplied with a cable gland. The probe is attached to the head with a compression gland. As standard they have insulated junctions to prevent earth loops. The metal sheaths are impervious to liquids and gases and can withstand high pressures. The sensors can be formed to shape particular applications without impairing performance. The typical bending radius is 10 x probe diameter but can be reduced to 4 x if required.

A range of accessories including extension cables, connectors, pockets, thermowells and adjustable compression fittings are available for this product.

Accuracy to IEC 60584.1 2013 Class 2 (Class 1 also available)

IEC 60584.3 2008 colour coded extension cables and connectors

In House Calibration Service is also available

Bespoke designs available upon request

## Additional Information

---

|                           |   |
|---------------------------|---|
| Country of Manufacture    | United Kingdom                                |
| Maximum Temperature       | T   |
| Maximum Temperature Probe | 350   |
| Metal Sheath Material     | 321 Stainless Steel                           |
| Probe Diameter            | 3.0mm, 4.5mm, 6.0mm                           |
| Sensing Junction Material | Insulated (isolated), Simplex                 |
| Termination               | Miniature Die Cast Alloy Terminal Head (IP67) |

## Product Options

---

|           |                     |
|-----------|---------------------|
| Diameter: | 4.5 mm              |
|           | 6.0 mm              |
|           | 3.0 mm              |
| Length:   | 300 mm Length (L1)  |
|           | 200 mm Length (L1)  |
|           | 100 mm Length (L1)  |
|           | 500 mm Length (L1)  |
|           | 250 mm Length (L1)  |
|           | 150 mm Length (L1)  |
|           | 1000 mm Length (L1) |