

CO₂ DISPLAY

MONITORING OF INDOOR AIR QUALITY

- Measures and records CO₂, relative humidity and temperature
- Accuracy ± 2.5 %RH / ± 0.3 K / ± 30 ppm + 5% of measured value
- ROTRONIC HYGROMER[®] IN-1 humidity sensor
- 18,000 data point memory for CO₂, humidity and temperature values
- Display of date and time
- Adjustable, visual CO₂ indicator
- Large, easy-to-read display
- USB access for data download



CO₂ DISPLAY

BE PRECISE: THE MAIN ADVANTAGES AT A GLANCE

The wall-mounted or bench-top CO₂ display is the latest development of an inexpensive display unit that simultaneously measures and records CO₂, humidity and temperature. Equipped with the field-tested ROTRONIC HYGROMER® IN-1 humidity sensor, this instrument offers unbeatable value for money. The instrument can be configured directly with buttons and stored data can be exported to a USB stick for analysis with the free ROTRONIC software package SW21.

Features

- Display for mounting on walls or bench-top use
- Data recording function

Display

- Large, easy-to-read display of measured values
- CO₂ indicator for quick recognition of air quality (GOOD/NORMAL/POOR)
- REC LED to indicate data recording is in progress
- Display of date and time

Use

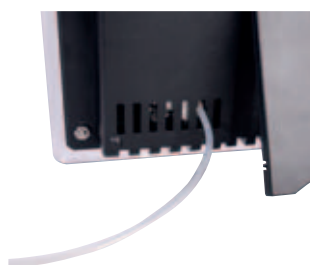
- Readily accessible buttons for easy use

Connections

- USB access for data downloads
- 12 VDC power supply

Humidity Sensor and Calibration

- HYGROMER® IN-1 humidity sensor
- Calibration of humidity possible at 35/80 %RH



CO₂ Sensor and Calibration

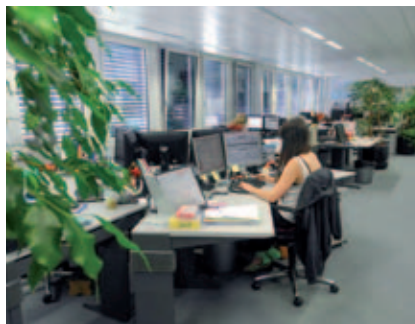
- NDIR sensor with automatic calibration
- Calibration of CO₂ at 0/400 ppm or any value between 0 and 990 ppm

APPLICATIONS

Indoor Air Quality



Classrooms, Kindergartens



Meeting Rooms, Open-Plan Offices



Shopping Centers, Fitness Studios

PRINCIPLES

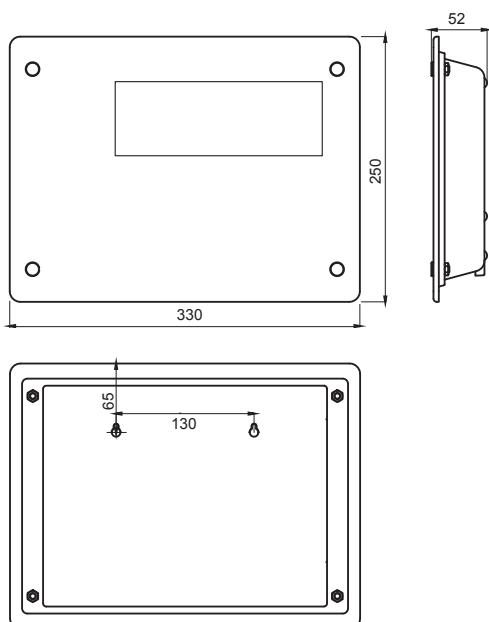
The wall-mounted or bench-top CO₂ display evaluates the quality of air with a combined measurement of CO₂, humidity and temperature. A high concentration of carbon dioxide can develop quickly when closed rooms with deficient ventilation are filled with people. Carbon dioxide (CO₂) is a colorless and odorless gas that exists in the earth's atmosphere and which is dangerous in high concentrations. The proportion of CO₂ in natural ambient air is about 0.04 % or 400 ppm. When humans and animals exhale this gas, it mixes quickly with the ambient air. A high CO₂ content becomes apparent in humans through rapid fatigue and loss of concentration. The negative effects become noticeable that more quickly in small rooms in which there are many people (e.g. conference rooms). In order to initiate suitable countermeasures such as an increase in the supply of fresh air, it is important to measure not only parameters such as relative humidity and temperature, but also the CO₂ content.

Guidelines

350 - 450 ppm 0.035 - 0.045 %vol	600 - 1,200 ppm 0.06 - 0.12 %vol	>1,000 ppm >0.1 %vol	5,000 ppm 0.5%vol	38,000 ppm 3.8 %vol	>100,000 ppm 10%vol
Fresh air outdoors	Room air	Fatigue and loss of concentration become apparent	Maximum permissible value at the workplace during an 8-hour workday	Breathing air (direct exhalation)	Nausea, vomiting, loss of consciousness and death

TECHNICAL INFORMATION

Dimensions



General

Type	Wall or bench-top display
Parameters	CO ₂ , relative humidity and temperature
Range of application	0...50 °C / 0...95 %RH, non-condensing
Power supply	AC adapter 12 VDC
Clock	Real time clock
Alarm/Indicator	Adjustable for CO ₂ measurement

Technical Information / Functions

Current consumption	700 mA (max)
Warm-up time	<1 min.
Memory capacity	18,000 values with time stamp, automatic recording (%RH / °C / ppm)

CO₂ Measurement

Measurement principle	Infrared (NDIR) with automatic calibration (ABC)
Measurement range	0...5000 ppm
Accuracy at 23 °C ±5 K	±30 ppm ±5 % of the measured value
Response time	<3 min. diffusion time
Adjustment points	0, 400 ppm or any value between 0 and 990 ppm
Pressure dependence	+1.6 % reading per kPa
Null drift	<10 ppm/year
Maintenance	No maintenance (standard indoor application)

Humidity Measurement

Humidity sensor	ROTRONIC HYGROMER® IN-1
Measurement range	0...100 %RH
Accuracy at 23 °C ±5 K	<2.5 %RH (10...90 %RH)
Adjustment points	35, 80 %RH
Response time τ63	<30 s, without filter
Long-term stability	<1.5 %RH / year

Temperature Measurement

Sensor	NTC
Measurement range	-20...60 °C
Accuracy at 23 °C ±5 K	±0.3 °K
Response time	4 s
Software	
As download (SW21) www.rotronic.com	Display and evaluation of the measured values

Conformities / Housing

CE / EMC compatibility	CE conformant 2004/108/EC
Housing material	ABS
Dimensions	330 x 250 x 50 mm
Weight	1400 g

Suitable Accessories

Art. No.	Description
ER-15	Humidity calibration device
EA35-SCS	Humidity standard 35 %RH
EA80-SCS	Humidity standard 80 %RH
CO2 CALIBRATOR	Zero calibration kit