

West 6120 1/16 DIN Easy Use Controller



The West 6120 is a full featured 1/16 DIN controller. Designed for applications requiring protection from operator errors, setpoint adjustment can be locked or limited to a narrow band.

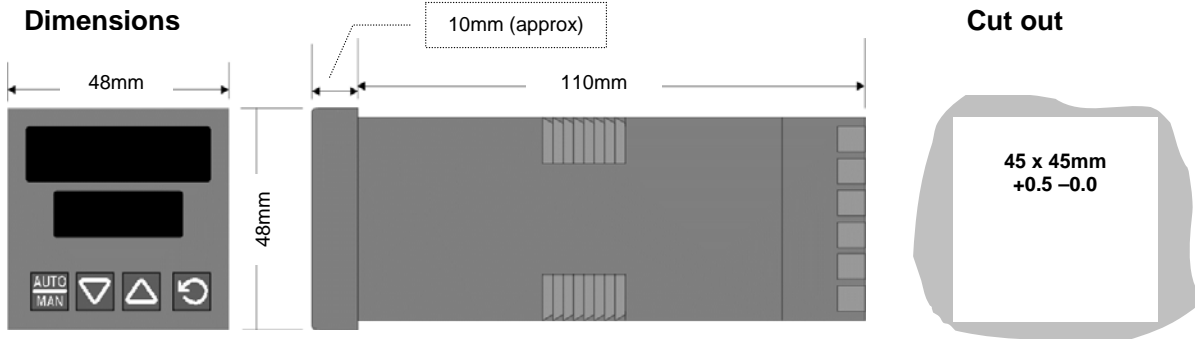
- Tamper proof
- Two process alarms
- Loop alarm
- RS485 comms
- Heat/Cool operation
- Ramping setpoint
- Dual setpoint selection
- Configuration via PC



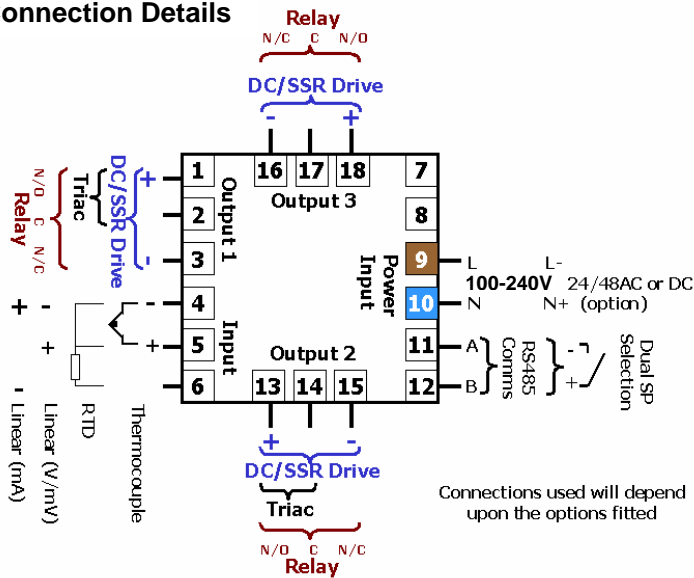
Technical Data

Features

Control Types	Full PID with Auto Pre-tune, Self-tune, Manual Tuning, or On-Off control. Heat only or heat/cool mode
Output Configuration	Up to 3 Total. Max 2 for control (Heat or Heat & Cool), max 2 for Alarms, max 1 for retransmit Process Value or Setpoint
Alarm 1 & 2 Types	Process high, process low, SP deviation, band, logical OR and hysteresis. Also 1 loop alarm
Human Interface	2 button operation, dual 4 digit 10mm & 8mm high LED displays, plus alarm indicator
Setpoint Locking	Front panel setpoint adjustment – Full, limited or none (selectable)
PC Configuration	Configuration via PC only. Dedicated config socket (controller comms option not required)
Input	
Thermocouple	J, K, R, S, T, B, L, & N.
RTD	3 Wire PT100, 50Ω per lead maximum (balanced)
DC Linear	0-20/4-20mA, 0-50/10-50mV, 0-5/1-5/0-10/2-10V. Scaleable -1999 to 9999, dec point available
Impedance	>100MΩ for Thermocouple and mV ranges, 47KΩ for V ranges and 4.7Ω for mA ranges
Accuracy	+/- 0.25% of input span +/- 1 LSD (T/C CJC better than 0.7°C)
Sampling	4 per second, 14 bit resolution approximately
Sensor Break Detection	<2 secs (except zero based DC ranges), control O/P's turn off, high alarms activate for T/C and mV ranges, low alarms activate for RTD, mA or V ranges.
Outputs & Options	
Control & Alarm Relays	Contacts SPDT 2Amp resistive at 240V AC, >500,000 operations
Control SSR Outputs	Drive capability >4.2V DC in 1KΩ (10V 500Ω version available)
Solid State (Triac) Outputs	0.01 to 1 Amp AC 20 to 280V, 47 to 63Hz
Control DC Outputs	0-20/4-20mA into 500Ω max, 0-10/0-5V into 500Ω min. Accuracy typically +/- 0.5%
Retransmit Outputs	0-20/4-20mA into 500Ω max, 0-10/0-5V into 500Ω min. Accuracy typically +/- 0.25%
Communications	2 Wire RS485, 1200 to 9600 Baud, West ASCII (Modbus Optional)
Dual Setpoint Selection	Selects between 2 SP's using volt free or TTL input (SP1 = -0.6 to 0.8V, SP2 = 2 to 24V)
Operating & Environmental	
Temperature & RH	0 to 55°C (-20 to 80°C storage), 20% to 95%RH non-condensing
Power Supply	100 to 240V 50/60Hz 7.5VA (optional 20 to 50V AC 7.5VA/22 to 65V DC 4W)
Front Panel Protection	IEC IP66 (Behind panel protection is IP20)
Approvals and Certification	CE, UL & ULc



Connection Details



Field Reconfiguration

Input
Configurable to any type, no extra parts required

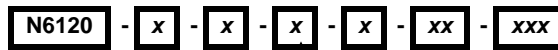
Output 1
Type is fixed as ordered. Either Relay/SSR (selectable), Triac or DC Linear (selectable for mV, mA, Volts)

Output 2
Configurable as Cool O/P or Alarm via plug-in Relay, SSR, Triac or DC Linear modules

Output 3
Configurable as Alarm via plug-in Relay or SSR modules, or retransmit using DC Linear module

Option Slot
Configurable as RS485 comms or dual setpoint selection, via plug-in modules

Order Code



Input Type	
3 Wire RTD or DC mV	1
Thermocouple	2
DC mA	3
DC Voltage	4
Output 1	
Relay Control	1
DC for SSR Control	2
DC 0-10V Control	3
DC 0-20mA Control	4
DC 0-5V Control	5
DC 4-20mA Control	7
Triac Control	8
Output 2	
Not fitted	0
Relay Control or Alarm 2	1
DC for SSR Control or Alarm 2	2
DC 0-10V Control	3
DC 0-20mA Control	4
DC 0-5V Control	5
DC 4-20mA Control	7
Triac Control	8

Special Variants	
Blank	Special Variant not required
S09	MODBUS instead of West ASCII (requires RS485 option)
S14	10V DC SSR outputs (requires SSR output codes)
Options & Power Supply	
00	No Options/100-240V AC line supply
02	No Options/24-48V AC or DC line supply
10	RS485 Comms/100-240V AC line supply
12	RS485 Comms/24-48V AC or DC supply
30	Dual Setpoint/100-240V AC line supply
32	Dual Setpoint/24-48V AC or DC supply
Output 3	
0	Not fitted
1	Relay Alarm 1 output
3	DC 0-10V Re-Transmit PV or SP
4	DC 0-20mA Re-Transmit PV or SP
5	DC 0-5V Re-Transmit PV or SP
7	DC 4-20mA Re-Transmit PV or SP

PC Configuration Software: Runs on Windows 95/98/2000. Part number GCON-1000
 PC Configuration Software (2): Runs on DOS or Windows 95/98. Includes connection cable. Part Number M9997-A05011

In accordance with our policy of continuous improvement, we reserve the right to change specifications from those shown in this document.
 6120 Spec Sheet - 08/03



Official UK Suppliers & Stockists of:



Temperature & Process Input Controllers

- Single Loop Controllers
- Multi-Loop Controllers
- Programmable Controllers
- Valve Motor Drive Controllers
- Process Indicators

Please contact our sales and service teams at the following address for further product information.



Tempon Instrumentation Ltd.
Unit 19, Ford Lane Business Park, Ford Lane
Ford, Nr. Arundel, West Sussex. BN18 0UZ
Tel: ++44 (0) 1243 558270 Fax: ++44 (0) 1243 558288
Email: info@tempon.co.uk Web site: www.tempon.co.uk

H202
0710